

DS M55

Manual Syringe Dispensing system

en Product Manual



Activate Windows
Go to PC settings to activate

ADofil™

Safety



Warning! If you use this fluid dispensing equipment without first reading and understanding the information in this guide, personal injury can result from the uncontrolled release of high-pressure gas, injection or exposure to chemicals.

components (excluding consumables) with proof of purchase and purchase date. Unauthorized repair, modification or improper use of equipment may void your warranty benefits. The use of aftermarket replacements parts not supplied or approved by Adofil will void any effective warranties and may result in the damage of the equipment.

GENERAL SAFETY CONSIDERATIONS

All users of Adofil dispensing system should read and understand this user manual before using the equipment.

SPECIFIC SAFETY CONSIDERATIONS

Using Safe Operating Pressure

Pressurizing the components in the dispensing system beyond the maximum recommended pressure can result in the rupturing of components and serious personal injury. To minimize the risk of rupturing components and injury, do not exceed the maximum operating pressure of the components in your fluid dispensing system.

Preventing Injection Injury

Discharging fluids or compressed air with a dispensing tip against your skin can cause very serious injection injury. To minimize the risk of injection injury, do not place the dispensing tip in contact with your skin.

Service

Have your dispensing system serviced or replacement of any damaged part should be done by Adofil authorized technician. This will ensure that safety of system is maintained.

WARRENTY

From date of purchase, Adofil offers a one-year warranty against defects in materials and workmanship of all system

MAINTENANCE AND CLEANING

1. Compressed air pressure should not exceed 7 bar (100Psi). Otherwise, it will cause negative effects (damage to objects or injury to the user).
2. Make certain air supply is clean and dry.
3. Dispensing liquid should be kept above 5°C to avoid change in density. Otherwise, the syrup will be hard to dispense and proper dots can not be formed.
4. Clean the dispenser tip regularly.
5. The suck-back vacuum should be adjusted in conjunction with air pressure, dispensing cycle and drop size. Too stronger vacuum will break the dispensed lines, cause running back of the dispensing liquid through the controller, resulting in permanent damages to the unit.
6. Avoid turning barrels upside down or lay down on its side. Dispensing liquid may run through air line to inside of the dispenser and cause component damages.
7. Avoid hit the plastic barrel assemblies with hot or sharp objects.
8. Avoid exposing the dispenser to excessive moisture or solvent.
9. After use, clean the barrel and needles as soon as possible by soaking them in clean water for 5-10 minutes.

Product Description and Specifications

Intended Use

The DS M55 Manual Dispensing Syringe Dispenser, with its versatile design, is perfectly suited with dispensing applications. Suitable for all type of fluids, it include a suck-back feature to ensure low viscosity liquids do not drip from the dispense tip. Included hoses, fitting and dispense tips make the unit ready to use right out of box.

Production Features

Product Type: Syringe Dispenser Controller

System Type: Analog – Semi automatic

Display Type: Pressure gauge

Dispensing Flow Control: Air Pressure

Control : Pedal Switch, Manual Override

Controller Dimensions:

Length: 6 inch

Width: 9 inch

Height: 3 inch

Controls available

Pressure Adjustment

Timer Based Dispensing

Suck back Vacuum Control

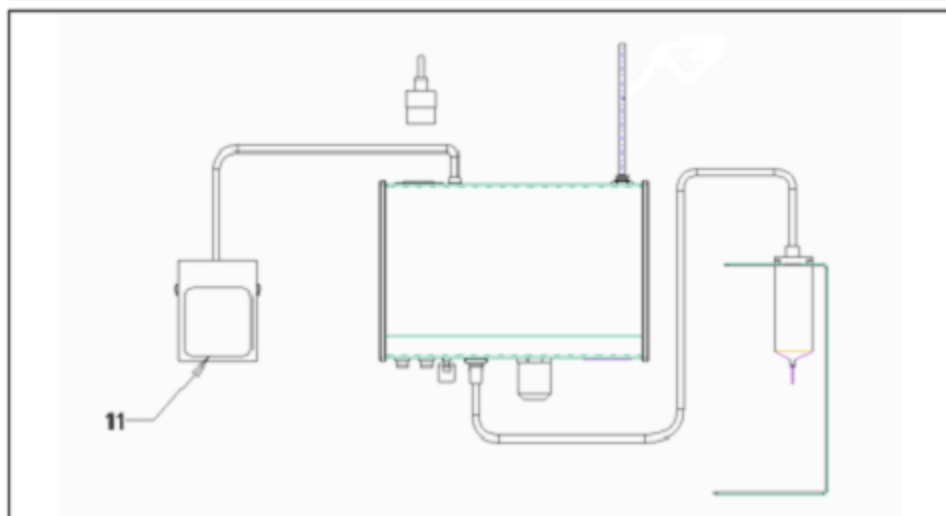
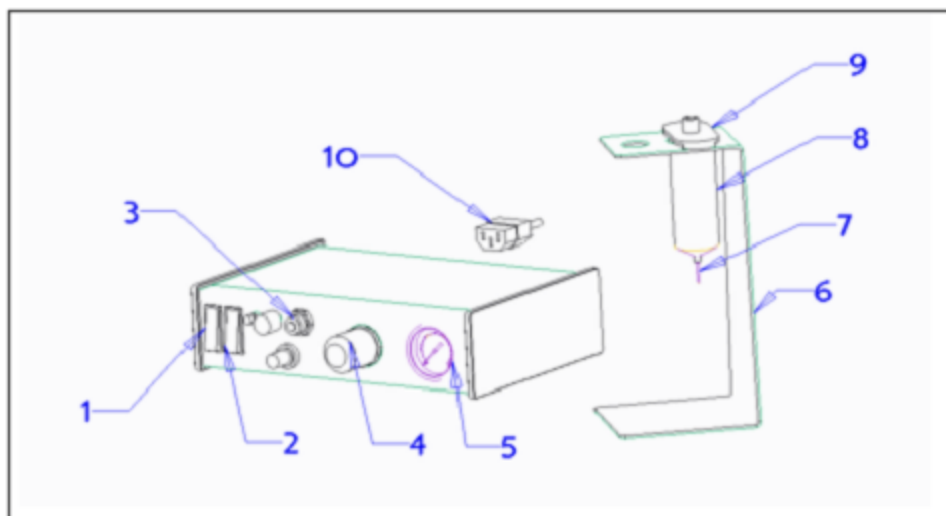
Dispensing Control

This system provide total control to operator for amount of fluid that is dispensed. So the volume of dispense is dependent on how long operator keep pressing the foot switch.

Technical Specifications

DS M55

Power Requirements	24VDC – 1.04 Amp maximum
Internal Voltage	24VDC
Footswitch Voltage	24VDC
Cycle Initiate	Foot Pedal, Finger
Air Input Requirements	Switch 7 bar (100 psi) maximum
Air Output:	1-7 bar (1-100 psi) dependent on user setting
Flow	20 CFM
Ambient Operating Conditions	<ul style="list-style-type: none"> • Temperature: 5°C to 45°C (41°F-113°F) • Humidity: 85% RH at 30°C non-condensing • Height above sea level: 2000 meters maximum (6562 feet)



Part List

Item	Part Number	Description
1	70122741	Power Switch
2	70122742	Manual/Auto Switch
3	70122743	Output Connector
4	70122744	Pressure regulator,
5	70122745	Dial Gauge
6	70122746	Syringe holder
7	70122747	Syringe Needle
8	70122748	Syringe
9	70122749	Syringe locking
10	70122750	3 pin Ac input cable
11	70122751	Foot Switch

Activate Windows
Go to PC settings to activate

PRODUCT SETTING UP

▪ AUTO AND MANUAL MODE

Manual Mode

Manual mode allows the user to dispense for unlimited amount of time by either pressing down on the supplied foot switch or pushing the SHOT button on the front of DS M55 unit. The material will continue to dispense for as long as the user is pushing down on the foot switch or pressing the SHOT button. As soon as either of these released, the dispensing will stop.

Auto Mode

Auto mode allows the user to create a repeating cycle of dispensing. This is programmed by setting the dispensing time for a SHOT.

▪ Adjustment of duration of a Dispensing Shot.

The dispensing time control notch for a shot is located on the front panel of the unit. The dispensing time can be regulated directly

▪ Internal air pressure control

The air pressure regulation knob controls internal air pressure. Air pressure at 0.1-2.7bar (1-40Psi) is normally used.

▪ Vacuum control

The vacuum control knob regulates the ending dot in the air reflection, avoid connected dots. Turn the knob clockwise will increase air reflection, otherwise, it will decrease.

▪ Set up

1. Connect the 7 bar dry and filtered air supply to the unit's air input plug.
2. Fill the barrel with syrup. Make sure the syrup level is not over the limit.
3. Turn the unit "ON" by switching the red power to ON position.
4. Pull the air pressure regulator knob outward and turn clockwise until the desired air pressure is indicated.
5. Set the mode switch to proper position, referring to the adjustment of dispensing time and interval time.

Helpful hints for making Proper deposit

1. Hold the barrel at approximately 60°C (+ or -20°C) angle (Fig 1)
2. Lift the dispenser barrel vertically after making a drop, as shown (Fig2).
3. Do not let the syrup flow back into the controller as shown in (Fig3).
4. Increase or decrease dot size by either, Increase or decrease time only, Or Increase or decrease pressure only, Or Increase or decrease size of the tip.

TROUBLESHOOTING

- **Dispenser does not turn on.**

Check the power connector on the back and make sure it is pushed in completely.

- **I hear air leaking.**

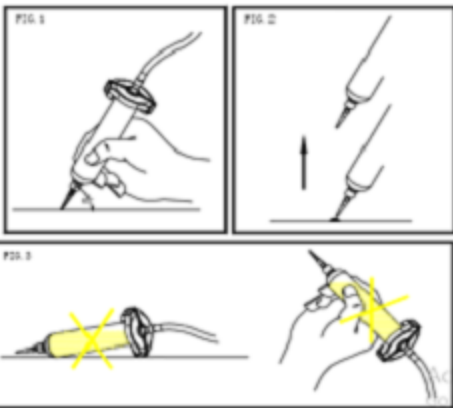
The vacuum may be on. Turn the vacuum knob on the front of the unit clockwise until the hissing stops. Also check your air connector fitting in the back of the unit for a tight fit. Use Teflon™ tapes if necessary.

- **Everything is on and seems to be working, but no material dispenses out of the syringe.**

Check the power adapter fitting that connects to the center left of the dispenser back, ensuring it is pushed in all the way. Also check to see that you have air pressure and the gauge is reading above 0 psi.

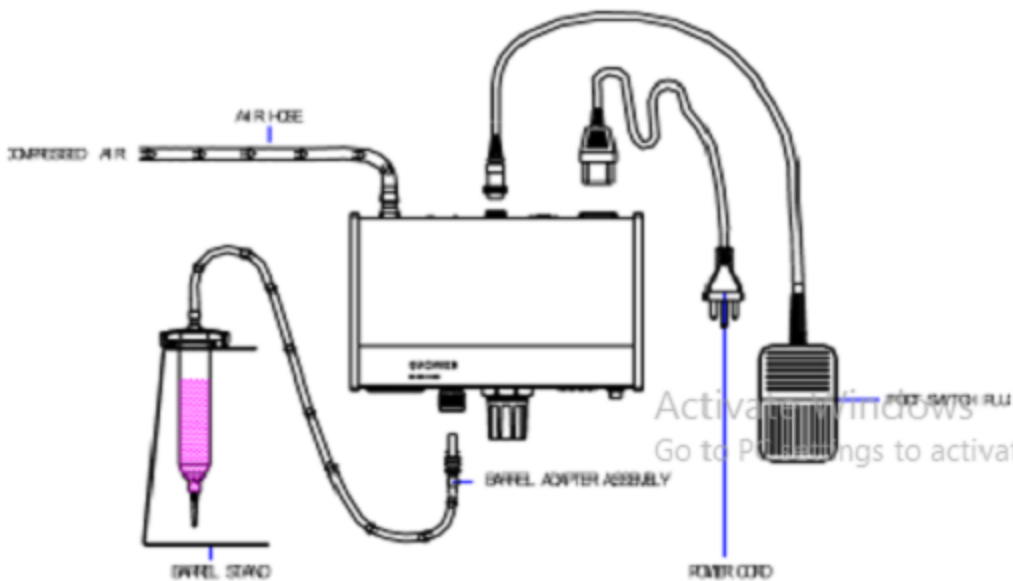
- **I can't turn the air pressure up or down.**

The regulator knob (large black knob on front of dispenser) is locked. Simply pull out towards you to unlock it. It will turn easily after this is done.



Accessories in the Box

1. Universal Power Cord
2. Foot Switch
3. Syringe Stand
4. One Dispensing Syringe (30ML)
5. One filler Syringe
6. Air hose (from controller to Syringe)
Needle Sample



Contact Us

If you have any question or comments regarding the unit please feel free to contact us by emailing info@mechstore.com, phoning our facility at (080) 2339-5090, or logon to our website www.mechstore.com

Disposal

This machine, accessories and packaging should be sorted for environmental-friendly recycling.

Do not dispose of the dispenser system into household waste!

Subject to change without notice.

Adofil, **MechStore**,
2nd Floor, II Phase, 1st Stage,
Chandra Layout, Bangalore – 560 040.

E-mail: info@mechstore.com

Phone: 080-23395090

www.mechstore.com